



## MODULAR STONE DUMPSTER ENCLOSURES

Modular enclosures offer a range of benefits that traditional enclosures simply can't match. Not only is it easier and faster to install, but it also provides a realistic appearance that costs only a fraction of what a traditional masonry system would.



### CUSTOM COLOR CHOICES TO FIT YOUR DESIGN STYLES



**MOUNTAIN COUNTRY**



**ALMOND TAUPE**



**RUSTIC GREY**



**DESERT TAN**



**FIELDSTONE**



**CASCADE CANYON**



**EASY INSTALL URESTONE 4'x8' STONE PANELS**

## CHOICE ENCLOSURES KEY BENEFITS



Our Enclosure Kits feature an easy-to-install framing system that is self-supporting. Most installations can be completed in a day.



Compared to the costs of traditional masonry units, you save an average of 50% when you factor in the cost of labor and materials.



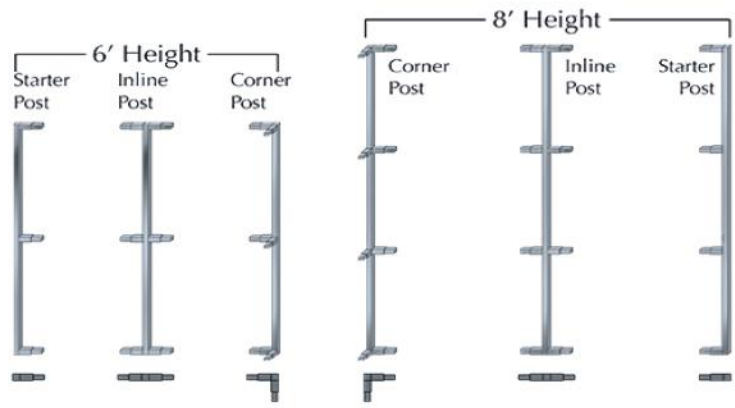
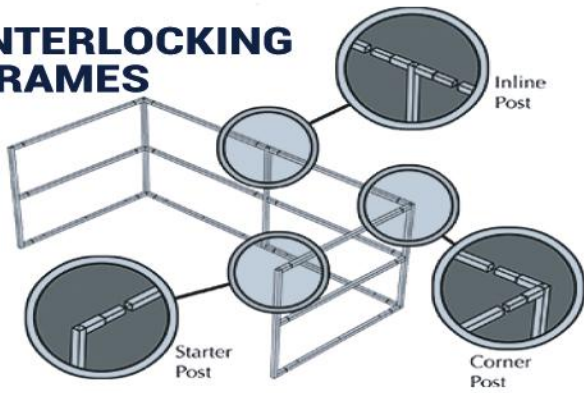
Choose from a variety of sizes, heights, textures and stone colors to fit the needs of your business. Custom styles and colors are available.



Our stone enclosures are durable and have a clean interior appearance which makes it easier to clean & less overall maintenance.

# COMPONENTS OVERVIEW

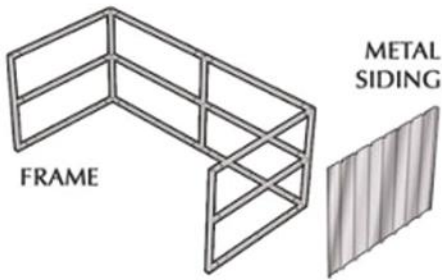
## INTERLOCKING FRAMES



## Frame Sizes:



HEIGHT (6' or 8')	A	B	C	D	E	F	G
SIDE	10'	10'	12'	12'	10'	12'	12'
BACK	10'	12'	12'	16'	20'	20'	24'



## MODULAR FRAMING

- Fast Simple Installation
- Self Supporting - *No post Needed*
- Strong 2" Tubular Steel
- Available in 6' & 8' Heights

## REALISTIC SIDING

- Realistic Stone Appearance
- 10 Year Warranty
- Custom Colors & Textures
- Ability to Match Structures

## GATE OPTIONS

- Easy Installation
- No Welding Required
- Standard & Heavy Duty Posts
- Custom Colors & Textures



## LEARN MORE

Choice Enclosures  
 9200 Latty Ave.  
 Hazelwood, MO 63042  
 P: 314-524-2040