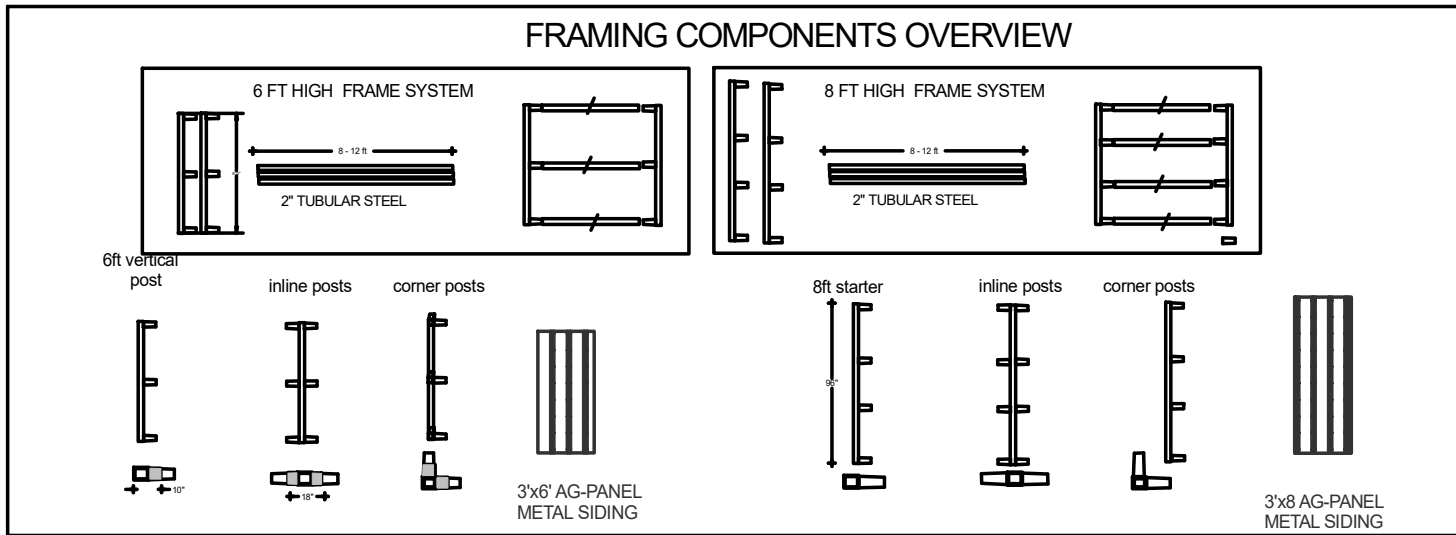
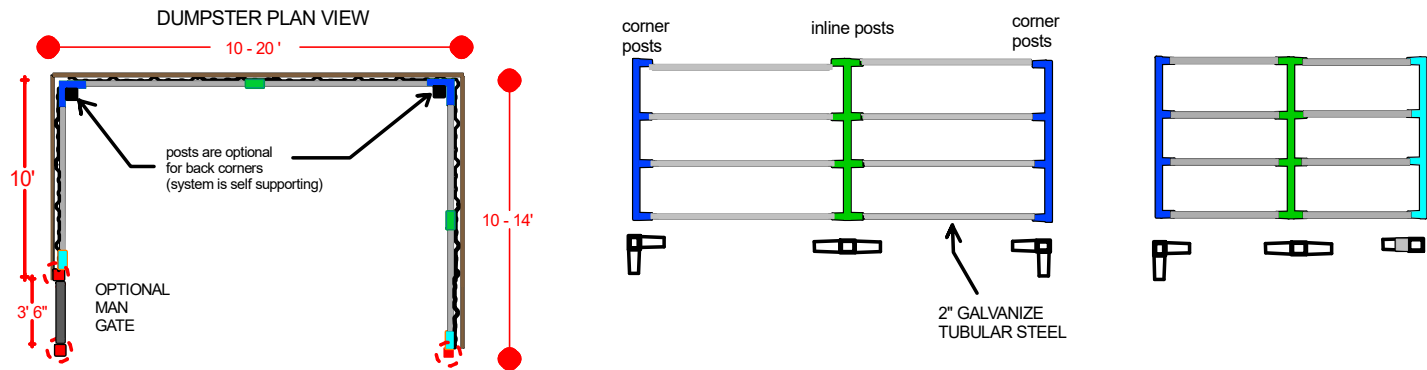


# OVERVIEW OF CHOICE ENCLOSURE SYSTEM

## FRAMING COMPONENTS OVERVIEW

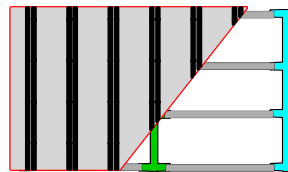


## ASSEMBLY OF FRAMING COMPONENTS



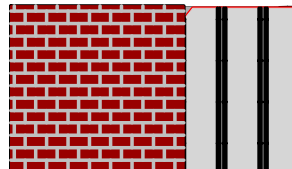
## ASSEMBLY OF THE SIDING TO THE FRAMEWORK

ADDING METAL SIDING SUPPORT TO FRAMING SYSTEM



26 ga Ag Panel

BRICK SIDING



STONE SIDING



CHOICE ENCLOSURES  
by REPLICATIONS UNLIMITED

No.	Revised/Issue	Date

For Name and Address

For Name and Address
